



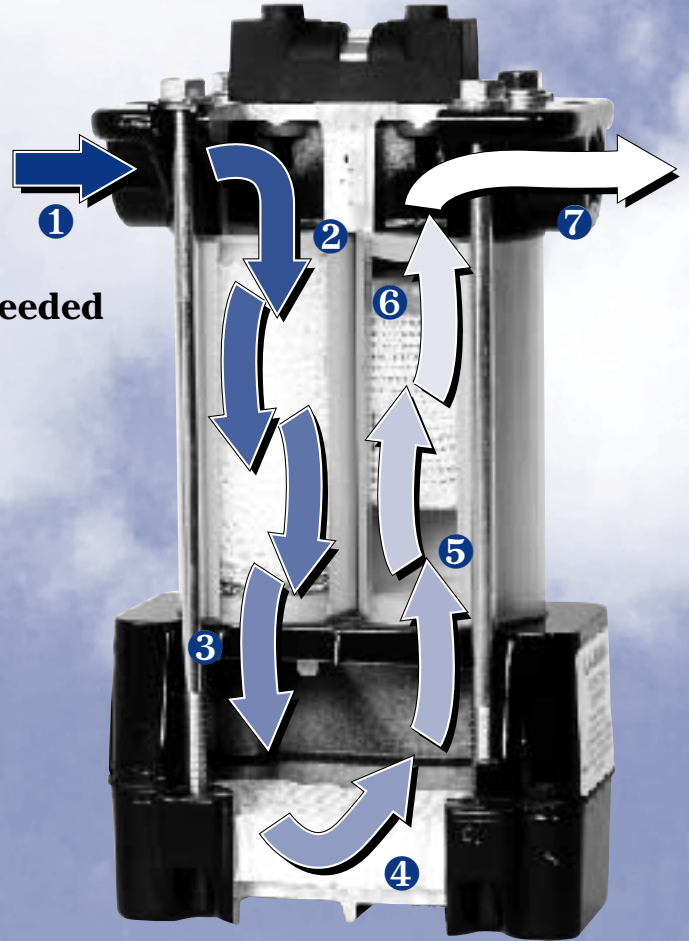
VINCENT AIR COMPRESSOR SERVICES PTE LTD

Tel:0065-67423995 Fax:0065-67423886 Email:vinair@singnet.com.sg
 Website:www.vacs.com.sg Add: Blk 3028A Ubi Rd 3 #01-88,Singapore 408657

LA-MAN® We Make Compressed Air Work®

FILTRATION AND LUBRICATION PRODUCTS FOR COMPRESSED AIR SYSTEMS

- Standard 5-micron rating
- Lower micron ratings available
- SCFM range 15 thru 2000
- Dewpoints 10° to 35°F at atmosphere
- Easy to install and maintain
- Modular design can expand to 4 stages if needed
 - Standard Differential Pressure Gauge
 - Standard Weep Drain



APPLICATIONS:

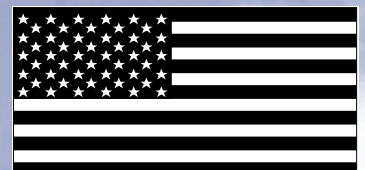
- | | |
|--------------------------|--------------------|
| • Air Guns | • Rivet Guns |
| • Injection Molding | • Bakery Equipment |
| • Hospital Equipment | • Textile Needles |
| • Staple Guns | • Package Coding |
| • Printing Presses | • Transit Systems |
| • Air Operated Chucks | • Dental Equipment |
| • Auto Paint & Body Shop | • Nailers |
| • Sandblasting | • Brewery Bottling |
| • Air Doors | • Construction |
| • Air Brushes | • Electronics |

How it Works -

- Compressed air containing tiny particles of dirt, dust, oil, rust and moisture, enters the first stage of the LaMan® Extractor/Dryer Filter.
- A coalescing effect occurs as air passes through a cartridge mesh filter which captures larger particles and causes moisture to form larger droplets.
- Air velocity lessens as it enters the extraction chamber allowing particles to collect and moisture to condense on the honeycomb.
- Particle-laden liquid flows along the bottom and out the drain.
- Air passes through the second stage wire supported fiber filter cartridge which captures remaining particles down to 5 microns.
- Remaining moisture and contaminants are dried and filtered in the second stage filter.
- Exhaust air is clean and dry – no dirt, rust, oil, or water drops to disrupt air equipment operation.



MODEL 120F
 with Differential Pressure Gauge
 and optional Float Drain



MADE IN U.S.A.

SPECIFICATIONS

Model	520A	520B	105	106	107	110	111	120	140	180	195A
NPT	1/4"	1/4"	1/4"	3/8"	1/2"	1/2"	3/4"	1"	1 1/2"	2"	4" Flange
SCFM	15	15	50	50	50	80	80	150	250	500	2000
MAX. PSI	250	250	250	250	250	250	250	250	250	150	150
SIZE	7 1/2" x 3 x 1 1/4"	8 1/4" x 3 x 1 1/4"	8 1/4" x 4 x 2 1/2"	8 1/4" x 4 x 2 1/2"	8 1/4" x 4 x 2 1/2"	11 1/4" x 6 x 3 1/4"	11 1/4" x 6 x 3 1/4"	15 x 9 1/2" x 5 1/2"	20 x 12 1/2" x 7 1/4"	27 x 18" x 9 1/4"	42 1/2" x 32 x 17"
APPR. WT.	2#	2#	3#	3#	3#	6#	6#	15#	36#	70#	375#
Service Kit #	015SK	015SK	050SK	050SK	050SK	080SK	080SK	150SK	250SK	500SK	493-494